

Lifecube Single-Use Filter Sets



Lifecube Single-Use Filter Sets

Cobetter **Lifecube single-use filter sets** are pre-assembled and presterilized, ready to use, can reduce your wait times up to 80%. The filter sets are available with different sterilizing grade filter membrane and filter formats and a choice of different connection types and tube materials.

The Lifecube single-use filter sets consist **Bricap® C/L capsule filters** with efficient filtration area ranging from 180 cm² to 1.65 m². The incorporated **Purcise® SLE polyethersulfone (PES)** membrane demonstrates very low protein binding and wide chemical compatibility with pH 1-14.

Lifemeta STT Silicone Tubing is a highly resistant platinum-cured silicone tubing, with very low extractable for the transfer of critical fluids and suitable for pumping application.

Lifemeta STF TPE Tubing is a highly resistant sealable and weldable thermoplastic elastomer tubing, features smooth inner bore for superior fluid flow.

Features

- Ready to use, saving time and reducing costs
- Streamline the collection and transfer of samples
- Minimizing the risk of cross-contamination
- Custom assemblies are available

Applications

Monoclonal antibodies (mAbs), vaccines, plasma, cell, and gene therapies etc., at any process step for liquid buffer/media, or final product filtration

Quality Assurance

- ISO 9001:2015 quality management system
- Manufactured in ISO Class 7 clean room
- 100% leak testing
- ADCF raw material, meets the FDA Indirect Food Additive requirements cited in 21 CFR 177-182
- Meets the requirement of USP <87> In Vitro Biological Reactivity Test
- Meets the criteria of the USP <88> Biological Reactivity Test for Class VI plastics
- Aqueous extraction contains < 0.25 EU/mL as determined by Limulus Amebocyte Lysate (LAL), USP <85>
- Particulate matter in the product eluent meets the requirements in USP <788> for large volume parenterals
- Verify gamma irradiation dose of sterile packaging according to ISO 11137



// Single-Use Filter Sets with C-Flex® 374 and Lifemeta STF TPE Tubing Plugs

Part No.	Port 1	Tubing	Length	Filter type	Port 2	Package
SAF01009	Plug	ID1/8" * OD1/4" C-Flex® 374 x2	100 cm x2	C01LLSLESG1P	Plug	1 set
SAF01010		ID1/4" * OD7/16" C-Flex® 374 x2	100 cm x2	C03BBSLESG1P		1 set
SAF01011		ID3/8" * OD5/8" C-Flex® 374 x2	100 cm x2	L05YYSLESG1P		1 set
SAF01012		ID1/2" * OD3/4" C-Flex® 374 x2	100 cm x2	L10HHSLESG1P		1 set
SAF01013	Plug	ID1/8" * OD1/4" Lifemeta STF x2	100 cm x2	C01LLSLESG1P	Plug	1 set
SAF01014		ID1/4" * OD7/16" Lifemeta STF x2	100 cm x2	C03BBSLESG1P		1 set
SAF01015		ID3/8" * OD5/8" Lifemeta STF x2	100 cm x2	L05YYSLESG1P		1 set
SAF01016		ID1/2" * OD3/4" Lifemeta STF x2	100 cm x2	L10HHSLESG1P		1 set

// Single-Use Filter Sets with Lifemeta STT Pt-cured Silicone Tubing EC Connectors

Part No.	Port 1	Tubing	Length	Filter type	Port 2	Package
SAF02021	ECS Female	ID1/8" * OD1/4" Lifemeta STT	100 cm x2	C01LLSLESG1P	ECS Male	1 set
SAF02022		ID1/4" * OD7/16" Lifemeta STT	100 cm x2	C03BBSLESG1P		1 set
SAF02023		ID3/8" * OD5/8" Lifemeta STT	100 cm x2	L05YYSLESG1P		1 set
SAF02024	ECM Female	ID1/2" * OD3/4" Lifemeta STT	100 cm x2	L10HHSLESG1P	ECM Male	1 set
SAF02025	ECS Male	ID1/8" * OD1/4" Lifemeta STT	100 cm x2	C01LLSLESG1P	TC25	1 set
SAF02026		ID1/4" * OD7/16" Lifemeta STT	100 cm x2	C03BBSLESG1P		1 set
SAF02027		ID3/8" * OD5/8" Lifemeta STT	100 cm x2	L05YYSLESG1P		1 set
SAF02028	ECS Male	ID1/4" * OD7/16" Lifemeta STT	100 cm x2	C03BBSLESG1P	TC50	1 set
SAF02029		ID3/8" * OD5/8" Lifemeta STT	100 cm x2	L05YYSLESG1P		1 set
SAF02030	ECM Male	ID1/2" * OD3/4" Lifemeta STT	100 cm x2	L10HHSLESG1P	TC50	1 set

// Single-Use Filter Sets with Lifemeta STT Pt-cured Silicone Tubing AseptiQuik® G Sterile Connectors

Part No.	Port 1	Tubing	Length	Filter type	Port 2	Package
SAF03019	ECS	ID1/4" * OD7/16" Lifemeta STT	100 cm x2	C03BBSLESG1P	AseptiQuik® G Sterile Connectors	1 set
SAF03020	Male	ID3/8" * OD5/8" Lifemeta STT	100 cm x2	L05YYSLESG1P		1 set
SAF03021	ECM Male	ID1/2" * OD3/4" Lifemeta STT	100 cm x2	L10HHSLESG1P		1 set
SAF03022	TC25	ID1/4" * OD7/16" Lifemeta STT	100 cm x2	C03BBSLESG1P		1 set
SAF03023		ID3/8" * OD5/8" Lifemeta STT	100 cm x2	L05YYSLESG1P		1 set
SAF03024	TC50	ID1/4" * OD7/16" Lifemeta STT	100 cm x2	C03BBSLESG1P		1 set
SAF03025		ID3/8" * OD5/8" Lifemeta STT	100 cm x2	L05YYSLESG1P	1 set	
SAF03026		ID1/2" * OD3/4" Lifemeta STT	100 cm x2	L10HHSLESG1P	1 set	

Figure 1, with tubing plugs, Bricap[®] C01 capsule filters

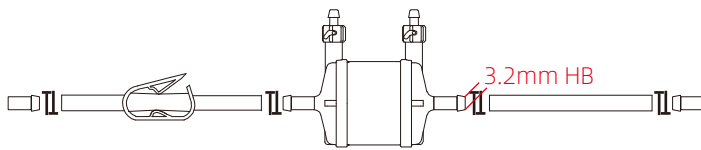


Figure 2, with tubing plugs, Bricap[®] C03 capsule filters

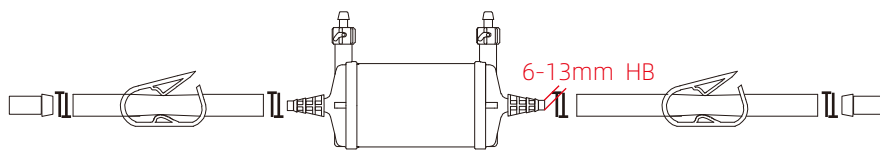


Figure 3, with tubing plugs, Bricap[®] L05 capsule filters

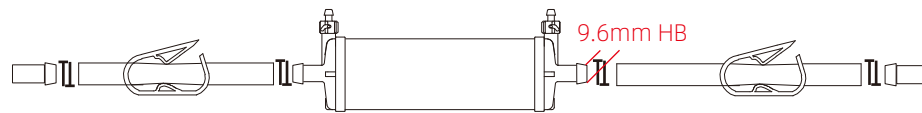
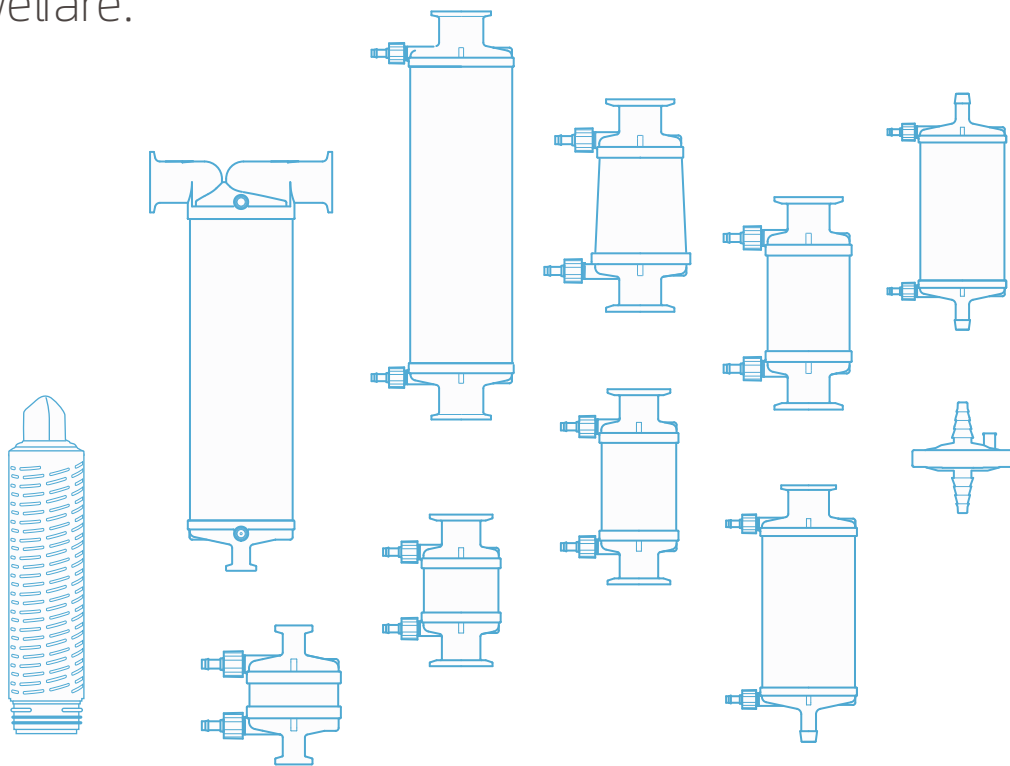


Figure 4, with tubing plugs, Bricap[®] L10 capsule filters



Our Mission

Through innovative, cost-efficient, and sustainable filtration solutions, we help our customers enhance human and animal welfare.



Hangzhou Cobetter Filtration Equipment Co.,Ltd.

Sales Add 13-18 F, Building 1, Zicheng International Innovation Center,
No.39 Jincheng Road, Xiaoshan District, Hangzhou 311215, China

Factory Cobetter Park, Heshang New Material Industrial Park,
Xiaoshan District, Hangzhou 311265, China

Tel +86 571 87704359

Fax +86 571-87704256

eShop www.cobetter.com