

# Cobetter Vent Filters

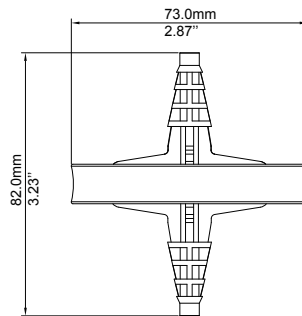
## 50mm DISC Filter ( AV50/AV50-J )

### Futures

- 0.2µm Validated with *Brevundimonas diminuta* ( ATCC 19146 ) in liquid at a challenge level of >107/cm<sup>2</sup> filter area
- 100% integrity tested
- Manufactured in a clean environment under controlled conditions
- Materials of construction tested for biological compatibility
- All materials passed USP class VI

### Applications

- Sterile Venting of small containers
- Sterile in-line gas filter



### Technical Specifications

AV50/AV50-J

<b>Membrane</b>	Hydrophobic PTFE Membrane, Glass Fiber
<b>Pore size</b>	0.0 1µm ,0.2µm
<b>Housing</b>	Polypropylene
<b>Effective Filtration Area</b>	19.6cm <sup>2</sup>
<b>Inlet &amp; outlet</b>	AV50 : 1/4 " to 1/2 " hose barb AV50-J: 1/4 " jaco
<b>Sealing technology</b>	Thermal Bonding
<b>Dimensions</b>	
Overall Length	82mm
Diameter	73mm
Filter Diameter	50mm
<b>Biosafety</b>	All materials passed USP class VI

### Ordering Information

50mm Disc Filter (e.g.AV50-PTFE0020M)

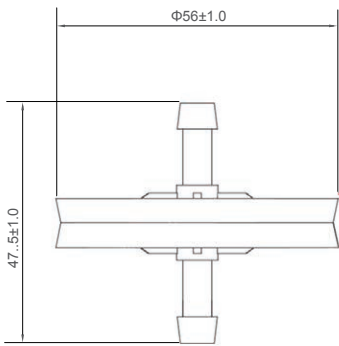
AV50 AV50-J	Filter Media	Pore Size	-M
	PTFE / GF	0001 = 0.01µm 0020 = 0.2µm	

# Cobetter Vent Filters

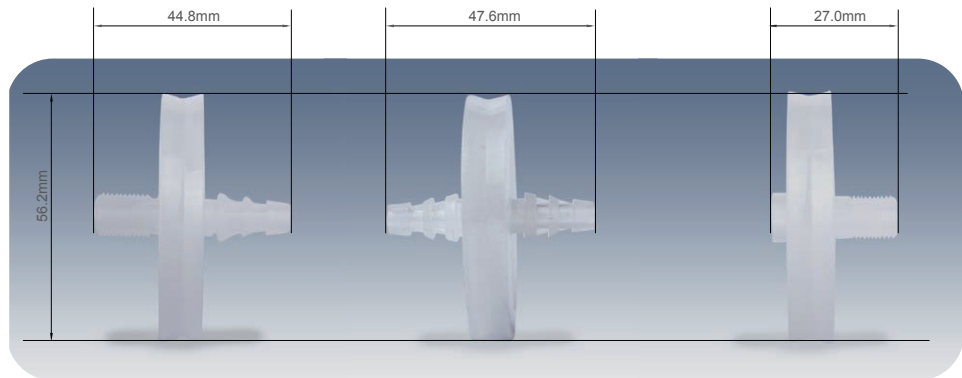
47mm DISC Filter ( 47DISC / SS47DISC / G47DISC / CJ47DISC )

## Technical Specifications 47DISC / SS47DISC / G47DISC / CJ47DISC

<b>Membrane</b>	Hydrophobic PTFE Membrane, Glass Fiber
<b>Pore size</b>	0.0 1µm ,0.2µm (other pore size are available)
<b>Housing</b>	Polypropylene
<b>Connectors</b>	47DISC: Inlet : 1/8" NPT Outlet: 1/4" to 3/8" hose barb SS47DISC: Inlet & Outlet : 1/4" to 3/8" hose barb G47DISC: Inlet : 4mm Opening Outlet: 1/8" NPT CJ47DISC: Inlet & Outlet : 1/4" hose barb
<b>Sealing technology</b>	Thermal Bonding
<b>Biosafety</b>	All materials passed USP class VI



**CJ47DISC**  
(Under Development)



**47DISC**

**SS47DISC**

**G47DISC**

## Ordering Information

47mm Disc Filter (e.g.47Disc-PTFE0020M)

	Filter Media	Pore Size	-M
<b>47DISC</b>	PTFE / GF	0001 = 0.01µm	
<b>SS47DISC</b>		0003 = 0.03µm <small>(Only available with GF)</small>	
<b>G47DISC</b>		0020 = 0.2µm	
<b>CJ47DISC</b>			